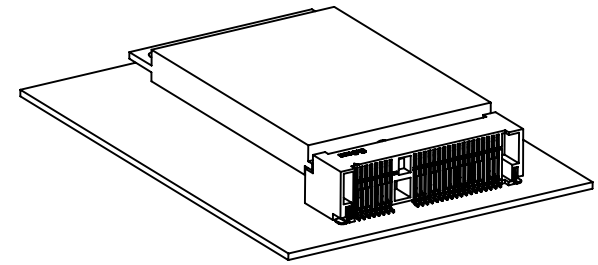
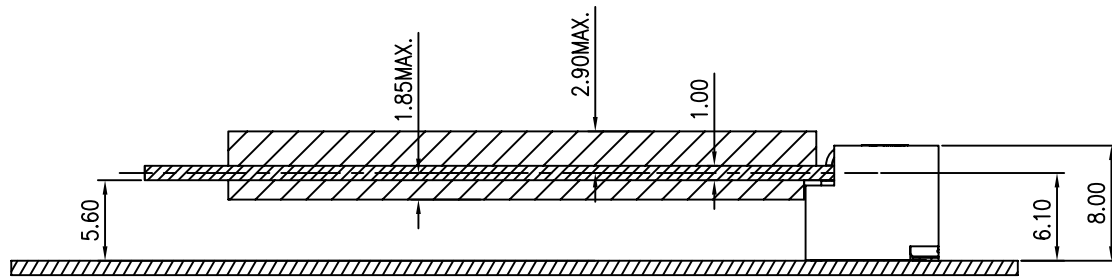
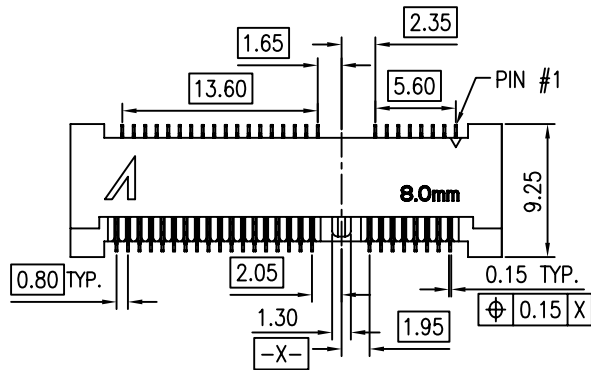


- NOTES:
- MATERIAL:
    - HOUSING: THERMOPLASTIC, HIGH TEMP., UL94V-0; COLOR:SEE P/N LEGEND
    - CONTACT: COPPER ALLOY
    - FITTING NAIL: COPPER ALLOY
  - FINISH:
    - CONTACT: PLS. SEE ORDER INFORMATION  
50u" MIN. NICKEL UNDERPLATING OVERALL.
    - FITTING NAIL: 100u" MIN. TIN(LEAD FREE) PLATING ON SOLDER TAILS.  
50u" MIN. NICKEL UNDERPLATING OVERALL.
  - REFLOW SOLDER CAPABLE TO 260°C PER ACES SPEC.
  - THE MODULE CARD REFERENCE MINIPCI EXPRESS CARD ELECTROMECHANICAL SPECIFICATION
  - DATUM D IS THE TOP SURFACE OF PCB
  - SPEC. PLS. REFER TO PS-88910-052xx
  - PACKING SPEC. PLS. REFER TO 51716-052XX-TRP



一般公差 <b>TOLERANCES</b> X ±0.5    XX ±0.15 Y ±0.25    XXX ±0.1 ANGLES    ±2°		<b>宏致電子股份有限公司</b> <b>Aces Electronic Co.,Ltd.</b>	
檢驗尺寸標示 <b>SYMBOLS</b> (C) (M) INDICATE <b>CLASSIFICATION DIMENSION</b> (C) MARK IS CRITICAL DIM. (M) MARK IS MAJOR DIM.	品名 (TITLE) MINI PCI EXP. RVS TYPE 0.8mm PITCH H=8.0mm 圖號 (DWG.NO) 51716-XXXXX-XXX	製圖 (DR) '08/12/17 Ring 審核 (CHKD) Sam 核准 (APPD) Jason	張數 (SHEET) 1 OF 3 尺寸 (SIZE) A4 版次 (REV) B
表面處理 (FINISH)	比例 (SCALE) 單位 (UNITS) 2:1    mm		



PART NUMBER  
51716 - XXX X X - XXX

POS.  
052. 52 PIN

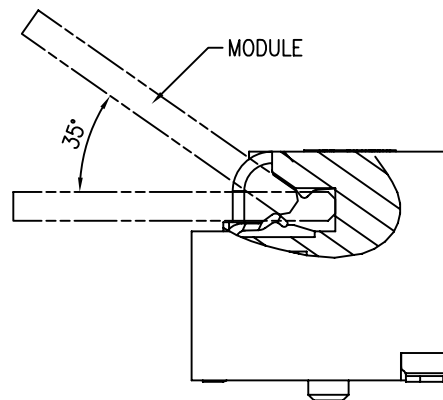
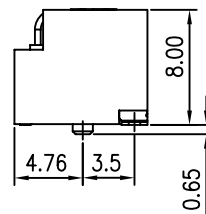
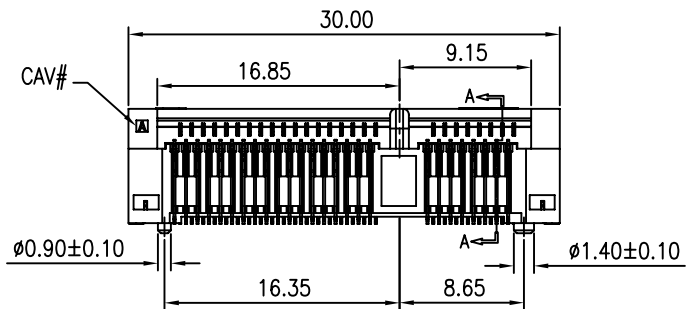
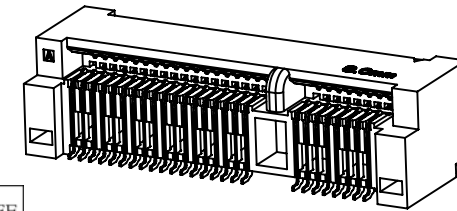
PACKAGE  
0. TAPE & REEL  
1. TUBE

NO.	HOUSING COLOR	HALOGEN FREE
001	BLACK	Y

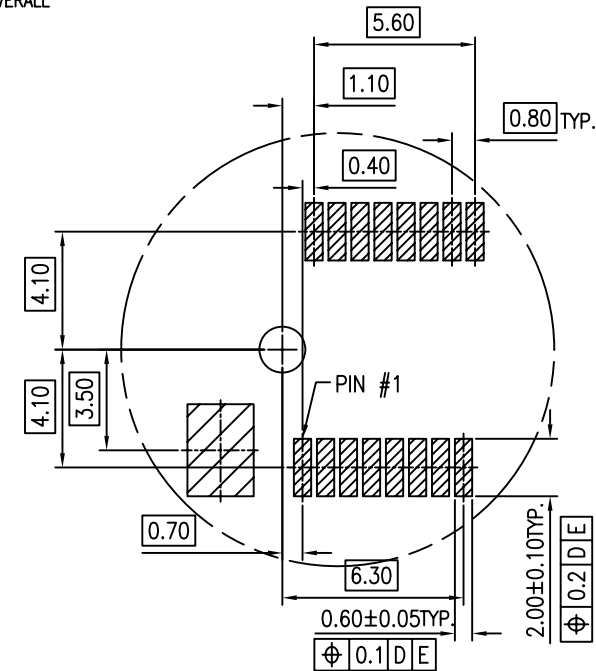
PLATING

M. UNDER PLATED: NICKEL 50 $\mu$ "-100 $\mu$ " OVERALL  
CONTACT POINT: GOLD 3 $\mu$ " MIN  
SOLDER TAIL: GOLD 1 $\mu$ " MIN

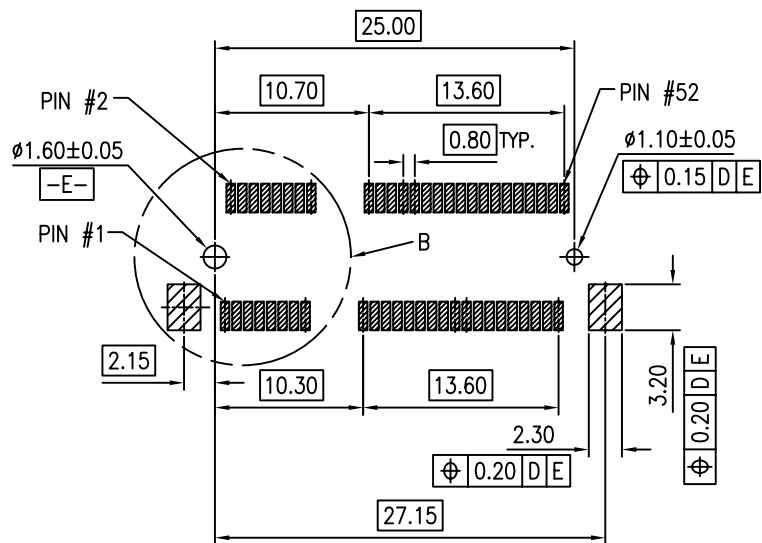
T. UNDER PLATED: NICKEL 50 $\mu$ "-100 $\mu$ " OVERALL  
CONTACT POINT: GOLD 10 $\mu$ " MIN  
SOLDER TAIL: GOLD 1 $\mu$ " MIN



SECTION A-A  
SCALE 4:1

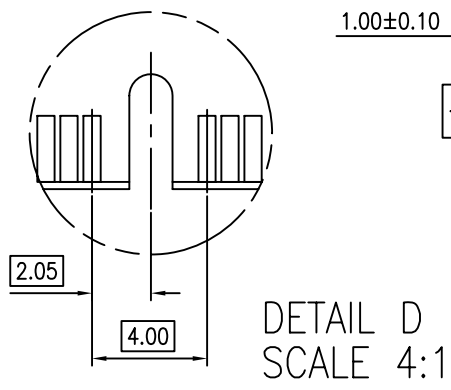
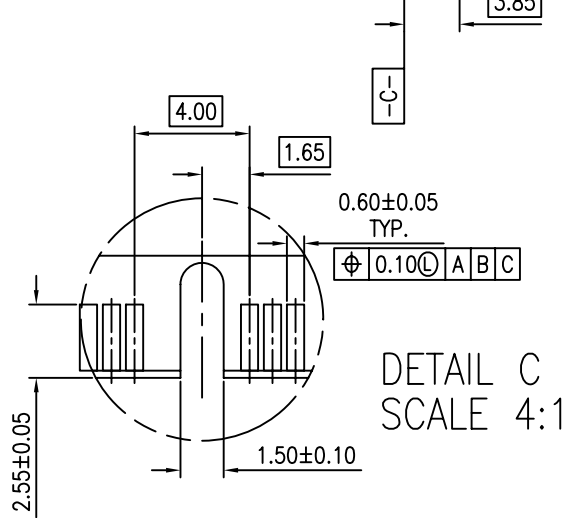
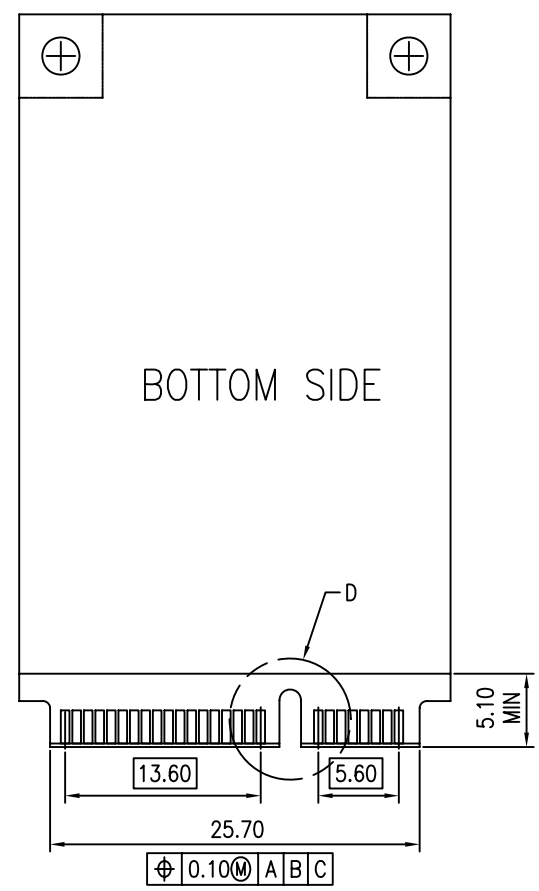
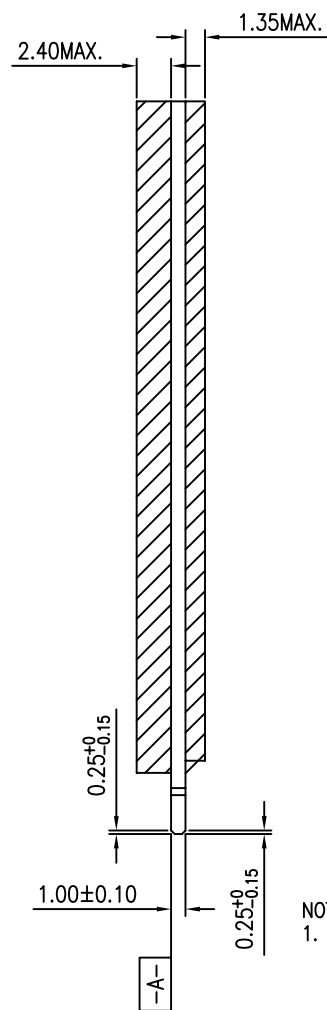
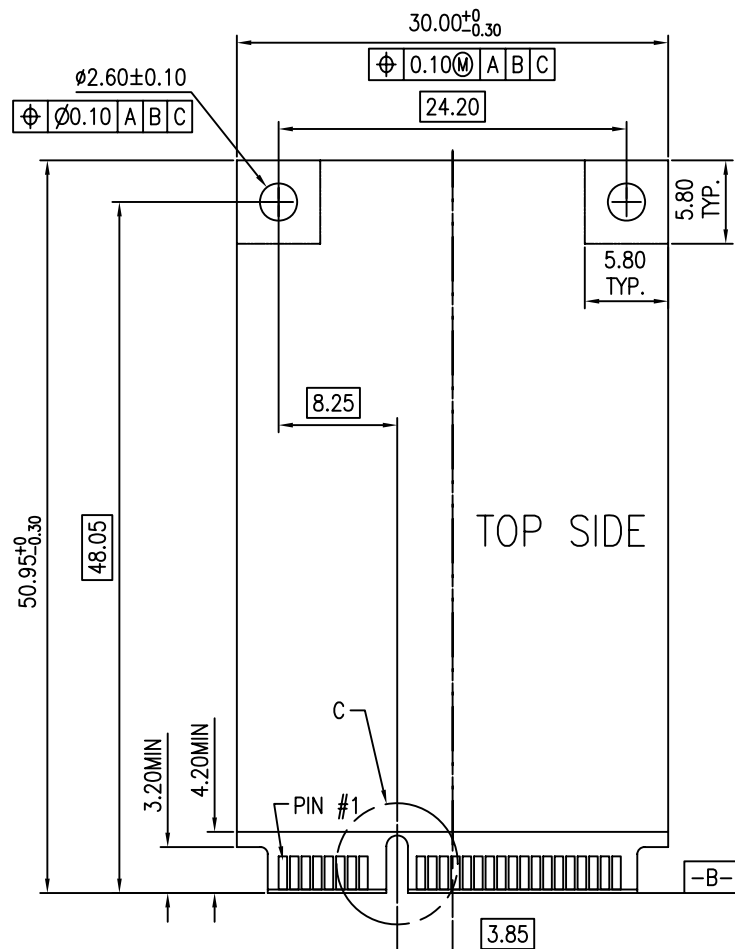


DETAIL B  
SCALE 4:1



CONNECTOR LAYOUT

一般公差 TOLERANCES		宏致電子股份有限公司 Aces Electronic Co.,Ltd.	
X ±0.5	XX ±0.15	製圖 (DR) '08/12/17 Ring	
X ±0.25	XXX ±0.1	審核 (CHKD) Sam	
ANGLES ±2°		核准 (APPD) Jason	
檢驗尺寸標示	品名 (TITLE) MINI PCI EXP. RVS TYPE 0.8mm PITCH H=8.0mm	圖號 (DWG.NO) 51716-XXXXX-XXX	
SYMBOLS ⊕ ⊗ INDICATE CLASSIFICATION DIMENSION	比例 (SCALE) 單位 (UNITS) 2:1 mm	張數 (SHEET) 2 OF 3	
⊕ MARK IS CRITICAL DIM. ⊗ MARK IS MAJOR DIM.		SIZE A4 REV B	
表面處理 (FINISH)			



NOTES:  
 1. PIN NUMBERING REFERENCE:  
 ODD PINS: TOP SIDE  
 EVEN PINS: BOTTOM SIDE

一般公差 <b>TOLERANCES</b> X ±0.5 XX ±0.15 Y ±0.25 ZXXX ±0.1 ANGLES ±2°		宏致電子股份有限公司 <b>Aces Electronic Co.,Ltd.</b>	
檢驗尺寸標示 <b>SYMBOLS</b> ⊕ ⊗ INDICATE CLASSIFICATION DIMENSION ⊕ MARK IS CRITICAL DIM. ⊗ MARK IS MAJOR DIM.	品名 (TITLE) MINI PCI EXP. RVS TYPE 0.8mm PITCH H=8.0mm 圖號 (DWG.NO) 51716-XXXXX-XXX	製圖 (DR) '08/12/17 Ring 審核 (CHKD) Sam 核准 (APPD) Jason	張數 (SHEET) 3 OF 3 比例 (SCALE) 2:1 單位 (UNITS) mm
表面處理 (FINISH)	圖號 (DWG.NO) 51716-XXXXX-XXX	圖號 (DWG.NO) 51716-XXXXX-XXX	張數 (SHEET) 3 OF 3 比例 (SCALE) 2:1 單位 (UNITS) mm